



BSM
S  **LAR**





BSM-SHS SERIES: Solar Home System



Technical Data

Model No.	BSM-SHS 3KW	BSM-SHS 4KW	BSM-SHS 5KW
Solar panel power	3000Wp	4000Wp	5000Wp
Battery capacity	48V/450Ah	48V/800Ah	48V/1000Ah
Controller	48V/80A	48V/80A	48V/80A
Inverter	3KVA	5KVA	5KVA
Output Voltage	AC220(110V)	AC220(110V)	AC220(110V)
Operating temperature	-20°C~+65°C		
Dc lightning protection device	DC48V/20KA (8/20 us)		
Battery breaker rating	80A	125A	125A
PV cables	4mm ² length*1 70 metres *70*	4mm ² length*1 100 metres *100*	4mm ² *1 length 120 metres *120*
Battery charge cables	16mm ² length 20 metres *20**1		
Inverter input cables	25mm ² length*1 14 metres *14*	1356mm ² -length 18 metres *18*	

Common loadings (ref.)

Individual load	Power	Qty	Working hours per day	Power consumption per day
CFL (LED) lamp	5W	4	6	120Wh
TV (19" color)	60W	1	4	240Wh
Computer	100W	1	6	600Wh
Fan	20W	4	8	640Wh
Refrigerator	100W	1	24	800Wh
Fax	150W	1	0.5	75Wh
Washing machine	300W	1	0.5	150Wh
Printer	250W	1	0.5	125Wh
Air conditioner	1000W	1	4	4000Wh
				Total: 6750Wh

Daily availability of electricity (ref.)

Model No.	Peak Sun Hours	WattHours per day	Battery capacity & full	Daily availability	
Per day			Charged (day)	Of electricity	
BSM-SHS-3KW	5hrs	8090Wh	12V150Ah*12PCS	2	14720Wh
BSM-SHS-4KW	5hrs	10790Wh	12V200Ah*16PCS	3	26180Wh
BSM-SHS-5KW	5hrs	13490Wh	2V1000Ah*24PCS	3	32720Wh



Technical Data

Model No.	BSM-SHS 1.5KW	BSM-SHS 2KW	BSM-SHS 2.5KW
Solar panel power	1500Wp	2000Wp	2500Wp
Battery capacity	48V/200Ah	48V/300Ah	48V/400Ah
Controller	48V/40A	48V/40A	48V/40A
Inverter	2KVA	2KVA	3KVA
Output Voltage	AC220(110V)	AC220(110V)	AC220(110V)
Operating temperature	-20°C+65°C		
Dc lightning protection device	(DC48V/20KA (8/20 us		
Battery breaker rating	50A	50A	80A
PV cables	4mm2 length*1 *metres *30 30	4mm2 length*1 *metres *45 45	4mm2 length*1 *metres *60 60
Battery charge cables	1*10mm2 length 20 metres *20*		1*16mm2 length 20 metres *20*
Inverter input cables	16mm2*1 length *metres *10 10	16mm2 length*1 *metres *12 12	25mm2*1 length *metres *12 12

Common loadings (ref.)

Individual load	Power	Qty	Working hours per day	Power consumption per day
CFL (LED) lamp	5W	4	6	120Wh
(TV (19* color	60W	1	2	120Wh
Computer	100W	1	4	400Wh
Fan	20W	4	4	320Wh
Refrigerator	100W	1	24	800Wh
Fax	150W	1	0.5	75Wh
Washing machine	300W	1	0.5	150Wh
Printer	250W	1	0.5	125Wh
Air conditioner	1000W	1	2	2000Wh
				Total: 3985Wh

Daily availability of electricity (ref.)

Model No.	Peak Sun Hours	WattHours per day	Battery capacity & full	Daily availability	
Per day			Charged (day)	Of electricity	
BSM-SHS1-5KW	5hrs	4047Wh	12V200Ah*4PCS	2	6545Wh
BSM-SHS2-5KW	5hrs	5396Wh	12V150Ah*8PCS	2	10280Wh
BSM-SHS2-2.5KW	5hrs	5396Wh	12V150Ah*8PCS	2	10280Wh



BSM-SO SERIES: Heavy Duty Portable Systems



Solar panel



switch & socket



Indicator lights



Extended cable with switch

Functional diagram



The working duration is varied in different season, countries and regions.

Warranty

2 years product warranty.

We provide customized system. OEM&ODM service.

Technical data

Model No.	BSM-S010W	BSM-S020W	BSM-S0330W
Solar panel power	10Wp	20Wp	30Wp
Capacity of battery	12V/7Ah	12V/9Ah	12V/12Ah
Controller	12V/3A	12V/3A	12V/3A
Lamp Power	2*1W LED	2*3W LED	2*3W LED
Output Voltage	DC 12V DC5V		
Operating Temperature	Discharge: -20°C~60°C, Charge: 0°C~50°C, Storage: -20°C~60°C		
Battery fuse	7.5A		
PV Cables	Length 5 meters		
Lamp Cables	Length 5 meters, E27 lamp holder		
Applications	Can supply power to DC light, Charge mobile phone, MP4 (USB-DC5V connector)		

Lighting Hours

Average 5 peak sun hours per day

Model No.	BSM-S010W	BSM-S020W	BSM-S030W	BSM-S0330W
BSM-S010W	27hrs	13hrs	9hrs	6hrs
BSM-S020W	18hrs	9hrs	6hrs	4hrs
BSM-S030W	26hrs	13hrs	8hrs	6hrs

Battery full charged

Model No.	BSM-S010W	BSM-S020W	BSM-S030W	BSM-S0330W
BSM-S010W	57hrs	28hrs	14hrs	7hrs
BSM-S020W	32hrs	16hrs	10hrs	8hrs
BSM-S030W	46hrs	23hrs	15hrs	11hrs



Solar panel



switch & socket

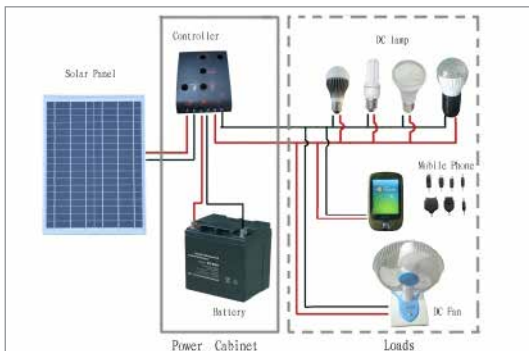


Indicator lights



Extended cable with switch

Functional diagram



Technical data

Model No.	BSM-S040W
Solar panel power	40Wp
Battery capacity	12V/24Ah
Controller	12V/5A
Lamp power	3W LED*2
Output voltage	DC12V DCSV
Operating temperature	-20°C~+65°C
Battery fuse	10A
PV cables	1.5 mm ² Length 3meters, E27 lamp holder*2
Applications	Can supply power to DC light, radio, DC fan, DCTV set, charge mobile phone

The working duration is varied in different season, countries and regions.

Warranty

2 years product warranty.

We provide customized system. OEM&ODM service.

Lighting Hours

Average 5 peak sun hours per day

Model No.	8hrs	6hrs	4hrs	3hrs
BSM-S040W				

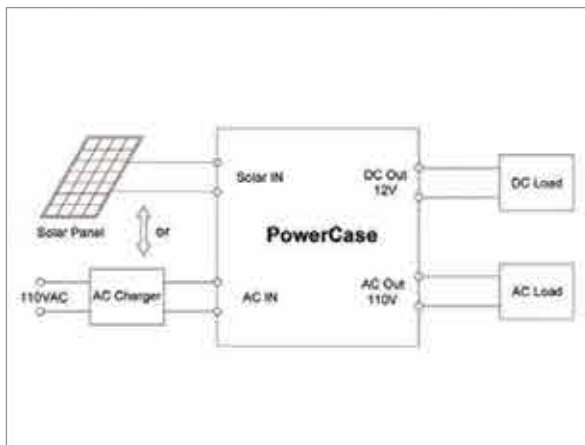
“BSM SOLAR STRIVES TO BE THE LEADER IN CUTTING EDGE SOLAR TECHNOLOGY THROUGHOUT THE REGION”



BSM-PC SERIES: Power Case



Functional diagram



The working duration is varied in different season, countries and regions.

Warranty

2 years product warranty.

We provide customized system. OEM&ODM service.

Tips for Optimum Performance

Turn OFF AC Power switches when system is not in use to conserve internal battery charge. Prior to storing the Power Case, drain the internal battery charge level to approximately 50% for maximum battery life.

Technical data

Model No.	SW-PC100W
Solar panel power	100W/18V
Battery capacity	LifePO4 Battery 12V/40AH
Controller	12V 10A
Inverter	500W pure sine 1000W peak
Ac charger	Input 100VAC Output 14.6VDC, 5A
Output voltage	110VAC/60Hz (220VAC/50Hz) & 12VDC
Operating temperature	-0°C~+45 C
Solar panel cables	5mm ² , length 3 meters 1*2
Protection	Surge, Reverse polarity, Overload, Short circuit, Over, temperature, Low battery alarm, etc.
Battery fuse rating	25A*3

Charging Internal Battery:

The power case can be charged using solar panels or a standard 60Hz AC outlet. Solar charging-unfold the solar panel and connect the solar cable to the Solar IN socket. Position the solar in area free of shade, facing the sun. AC charging-plug one end of the AC charger into a power outlet and the other end into the AC IN socket.

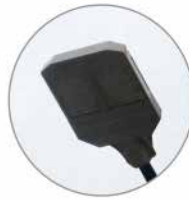
Powering 12V DC Devices

Turn ON the DC power switch. Connect your device to the DC out 12V socket. When not in use, turn OFF the DC Power switch to conserve internal battery charge. If the incompatible device indicator turns on, turn off the DC power switch and disconnect your device.

We commit ourselves to R7D, Manufacture and technical innovation on PV modules and solar power system. To provide high quality products with various specifications for customers is always our pursuit.



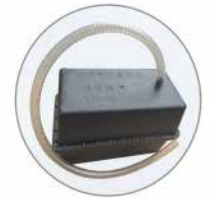
Solar Panel



LED Lamp



Solar Bracket



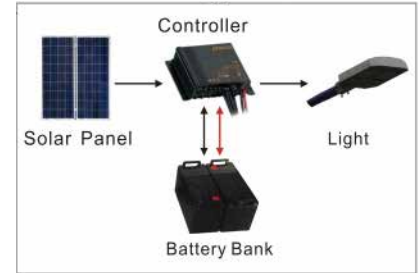
Battery Box



Characteristics

- Smart figure, rational structure, easy installation
- Optimum system design, scientific and specific to ensure the operating stability and reliability. High price-performance ratio.
- Intelligent control management, advanced technology, simple maintenance.
- High luminous efficiency, long life-span, eco-friendly.

Functional diagram



Warranty

2 years product warranty.
We provide customized system. OEM&ODM service.

Configurations

	BSM-SL300W
Solar Panel power	300W
Battery capacity	12V/150AH*2PCS
Controller	24V/10A
Lamp power	60W
LED luminous flux	100Lm/W~80
Working duration	10hrs/night, 3-5 cloudy/rainy days power back up after battery fully charged
Operating temperature	-20°C~+65°C

- 100% luminance of pre-5 hours and 50% luminance of the other 5 hours
- The working duration is varied in different seasons, countries and regions.
- Specifications subject to change without prior notice.

Installation

	BSM-SL300W
Height of the lighting source above the ground	8.0 meters
Angle of lamp arm	15°
Road width (for reference)	12m~10
Distance between two poles (for reference)	20m~18

Packaging

Parts Name	BSM-SL300W
Solar panel	85mm*720*1520
Battery	260* mm*2pcs*200*500
Lamp holder	140 mm*360*560
Lamp pole	8500 (5m+3.5m) mm*400*400
Volume/Weight per set	0.9m3/280 kgs
Packing	Carton box & nonwovens
20'GP	28sets
40'GP	56sets



BSM
S O L A R



Blue Star MENA General Trading L.L.C

M-27, Al-Joud Building, Shk. Zayed Rd.

Dubai, U.A.E

Tel: +971 4 3389344

Fax: +971 4 3389346

Email: info@bluestarmena.com